

**DESCRIPTION**

The B3RX1659 is a low noise front end for X-band marine radar receiver. It comprises a low noise amplifier with monitor circuit, an image rejection mixer and a voltage controlled internal local oscillator. An external sample of the local oscillator suitable for AFC mixer drive is supplied via a female sma connector.

Frequency range . . . . . 9075 to 9225 MHz  
I.F. output frequency . . . . . 100 MHz  
Noise figure . . . . . 1.6 dB

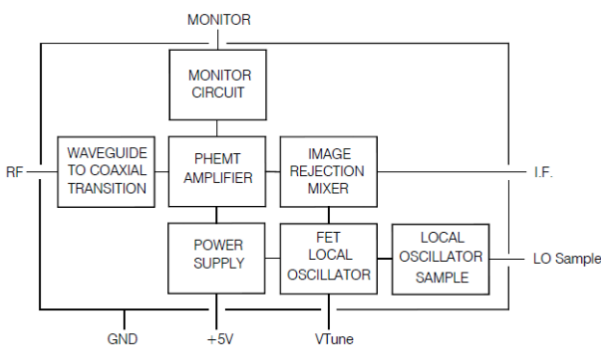
**GENERAL DATA**

Operating voltage . . . . . 5 V d.c.  
Operating current . . . . . 55 mA  
Overall dimensions . . . . . 88 x 31 x 42 mm max  
Net weight . . . . . 100 g approx  
Waveguide size . . . . . WR90 (WG16)

**MAXIMUM AND MINIMUM RATINGS**

	MIN	MAX	
Operating voltage (see note 1).	-	+6	V
Tuning voltage . . . . .	0	45	V
R.F. input (1uS,1kHz, repetitive)	-	500	mW
Body temperature:			
Operating . . . . .	-30	+85	°C
Storage . . . . .	-55	+125	°C
Vibration (50Hz) . . . . .	-	20	g
Shock (11ms, half sine) . . . . .	-	25	g

**BLOCK DIAGRAM**



Whilst e2v technologies has taken care to ensure the accuracy of the information contained herein it accepts no responsibility for the consequences of any use thereof and also reserves the right to change the specification of goods without notice. e2v technologies accepts no liability beyond the set out in its standard conditions of sale in respect of infringement of third party patents arising from the use of tubes or other devices in accordance with information contained herein.

e2v technologies (uk) limited, Waterhouse Lane, Chelmsford, Essex CM1 2QU United Kingdom Holding Company: e2v technologies plc  
Telephone: +44 (0)1245 493493 Facsimile: +44 (0)1245 492492  
Contact e2v by e-mail: [enquiries@e2v.com](mailto:enquiries@e2v.com) or visit [www.e2v.com](http://www.e2v.com) for global sales and operations centres.

**TYPICAL OPERATION**

**Operating Conditions**

Operating voltage . . . . . 5.0 +/- 0.2 V  
Signal frequency . . . . . 9150 +/-75 MHz  
Local Oscillator frequency  
tuning voltage 2V . . . . . 9175 MHz max  
tuning voltage 24V . . . . . 9325 MHz min

**TYPICAL Performance (at 25 °C)**

	Min	Typ	Max	
Operating current . . . . .	-	55	80	mA
Noise figure . . . . .	-	1.6	2.0	dB
Conversion gain . . . . .	4.0	6.0	-	dB
Image rejection ratio . . . . .	20	-	-	dB
Frequency pulling . . . . .	-	0.2	0.6	MHz
(See note 2)				
Input power at 1dB compression . . . . .	-6	-	-	dBm
Saturated I.F. output . . . . .	0.8	1.0	-	V
Local Oscillator Switch on drift (3min to 40min) . . . . .	-	-	4	MHz
Local Oscillator temperature drift . . . . .	0	-200	-350	kHz/°C
Tune rate . . . . .	10	14	18	MHz/V
I.F. frequency (3dB B.W.) . . . . .	90	100	110	MHz
I.F. output impedance . . . . .	-	50	-	Ω
Tune I/P impedance . . . . .	1	-	-	MΩ
Monitor voltage . . . . .	30	50	70	mV
Local oscillator sample level... . . . .	-8	-	-6	dBm

**NOTES**

1. Positive only; negative voltage must not be applied.
2. Input power 10 dBm.
3. External voltages must not be applied to the I.F. or monitor terminals.

**OUTLINE (All dimensions in mm; dimensions without limits are nominal)**

